

# DRM Series DC Motor Controllers



DC Motor Controls  
Din Rail Mountable  
Non-Isolated, Fully Isolated, Isolated Regen

By

**POLYSPEDE**

Versatile range of motor controllers for permanent magnet or shunt wound dc motors offered in a compact easy to use Din Rail mounting package.

## Non-Isolated

- DRM 050, DRM 100, and DRM 200 models offering basic functionality at a very competitive price.

## Fully Isolated

- 1Q DRM 050I, DRM 100I, and DRM 200I
- 4Q DRM 050IR, DRM 100IR, and DRM 200IR
- Isolated models have comprehensive system I/O.
- Linear outputs for Ramp, Demand, Speed, and Current.
- Linear inputs for Ramped I/P, Direct I/P, Torque I/P.
- Logic outputs for Overload and Trip
- Uncommitted level and comparator, and signal changer..

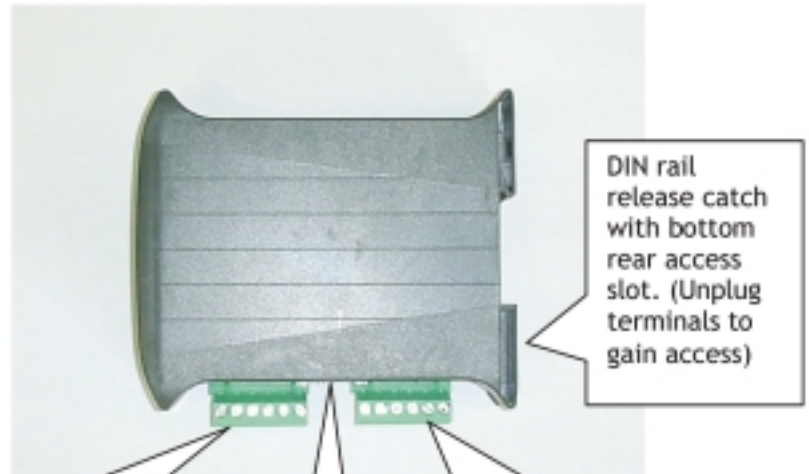
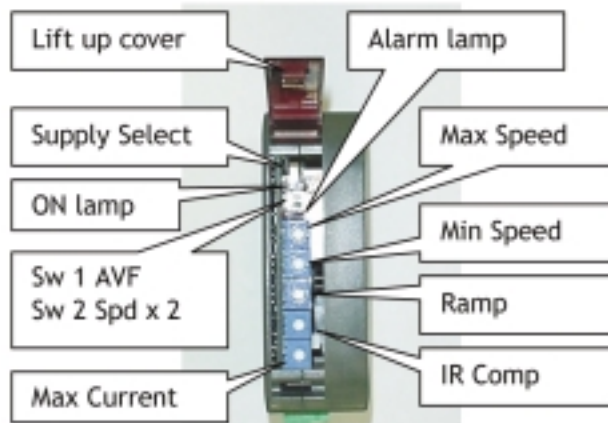
**1/4 - 2 HP**  
**3.4 Amps - 12.2 Amps**

Slim design, saves space and allows drive mounting adjacent to other control panel components. Easy to access adjustments and plug on screw terminals make these units quick to install and run. Dual voltage supply and selectable avf or tacho feedback are just some of the standard features.

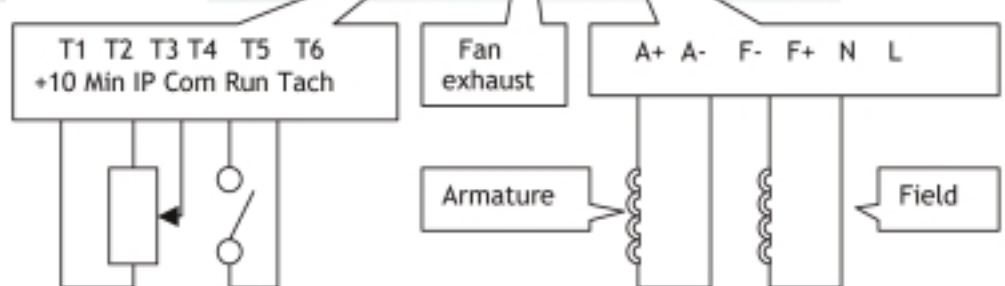


**POLYSPEDE**

	DRM050	DRM 100	DRM200
<b>Max. HP &amp; Current</b> @ 110VAC Input (90VDC Armature)	1/4 HP.....3.4Amps	1/2 HP.....6.8Amps	1 HP.....12.2Amps
<b>Max. HP &amp; Current</b> @ 240VAC Input (180VDC Armature)	1/2 HP.....3.4Amps	1 HP.....6.8Amps	2 HP.....12.2Amps
<b>Adjustments</b> (Non Isolated Models)	Max Speed, Min. Speed, Up Ramp, IR Comp., I Max, AVF/Tach Switch. Speed Range Switch, AC Voltage selector		
<b>Adjustments</b> (Isolated Models - i) (Isolated, Regen. Models -iR)	Max Speed, Min. Speed, Up Ramp, Down Ramp IR Comp, I Max, AVF/Tach Switch, Stability Speed Range Switch, AC Voltage selector, Level Comparator		
<b>Terminals</b> (Non Isolated Models) A+, A-, F-, F+, L, N	(+)10V, Min., I/P, Com., Run, Tach.		
<b>Terminals</b> (Isolated Models - i) (Isolated, Regen., Models -iR) A+, A-, F-, F+, L, N	(+10V Rev., Min. Speed, I/P +, Output +/-, Common Input +/- Push button +, Push button -, Run Input, Common, Tach. Input		
<b>Height (H) x Depth (D)</b>	4.1" x 4.7"		
<b>Width</b> (Non Isolated)	1.4"	1.8"	1.8"
<b>Width</b> (Isolated - i & Isolated, Regen - iR)	2.4"	2.8"	2.8"



Model	Height	Width	Depth
050	4.1"	1.4"	4.7"
100	4.1"	1.8"	4.7"
200	4.1"	1.8"	4.7"



[www.polyspede.com](http://www.polyspede.com)



Phone: 214-363-7245 Fax: 214-363-6361 Email: [info@polyspede.com](mailto:info@polyspede.com)

POLYSPEDE ELECTRONICS CORPORATION 6776 Twin Hills Avenue, Dallas, Texas 75231